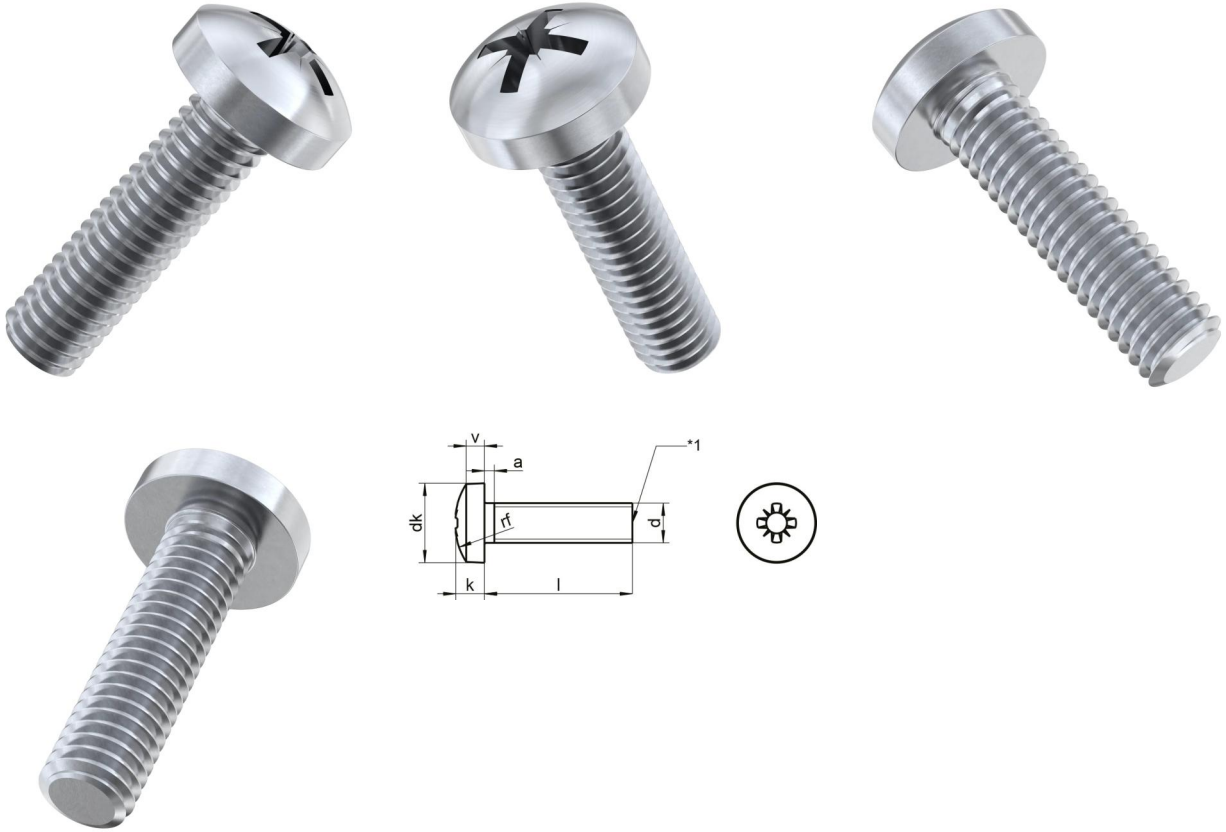


DIN 7985 A4 M 8X10 Z

Cross recessed raised cheese head screws



Teknik Veriler / Technical Data

Material	A4
Weight per 100 pcs.	1,09 kg
Packaging	200 pcs.
Length (l)	10 mm
Diameter of head (dk)	16
Height of head (k)	6
Drive size	PZ4
Diameter (d)	8 mm
Drive shape	Pozidrive
Thread type	Metric
Head shape	pan head
Tensile strength	700 N/mm2