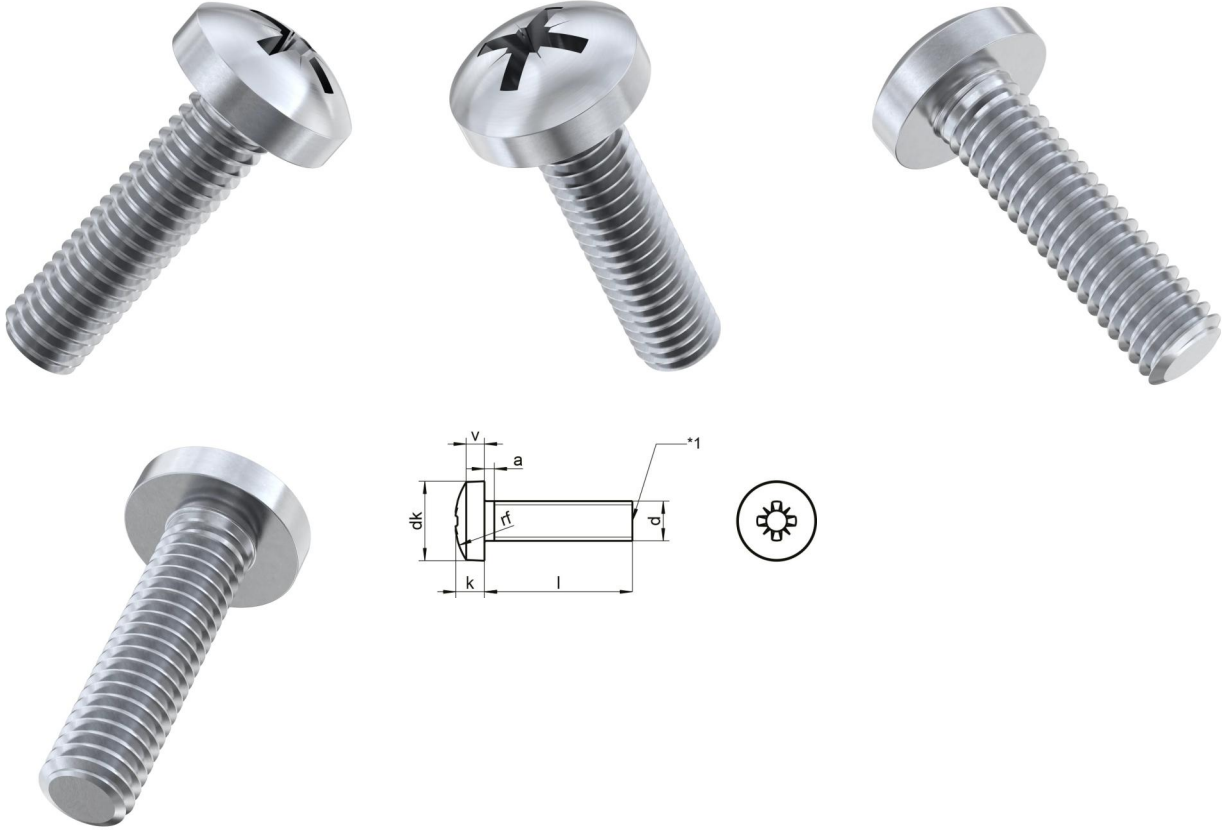


## DIN 7985 A4 M 2X3 Z

Cross recessed raised cheese head screws



### Teknik Veriler / Technical Data

Material	A4
Weight per 100 pcs.	0,02 kg
Packaging	1000 pcs.
Length (l)	3 mm
Diameter of head (dk)	4
Height of head (k)	1.6
Drive size	PZ1
Diameter (d)	2 mm
Drive shape	Pozidrive
Thread type	Metric
Head shape	pan head
Tensile strength	500 N/mm2