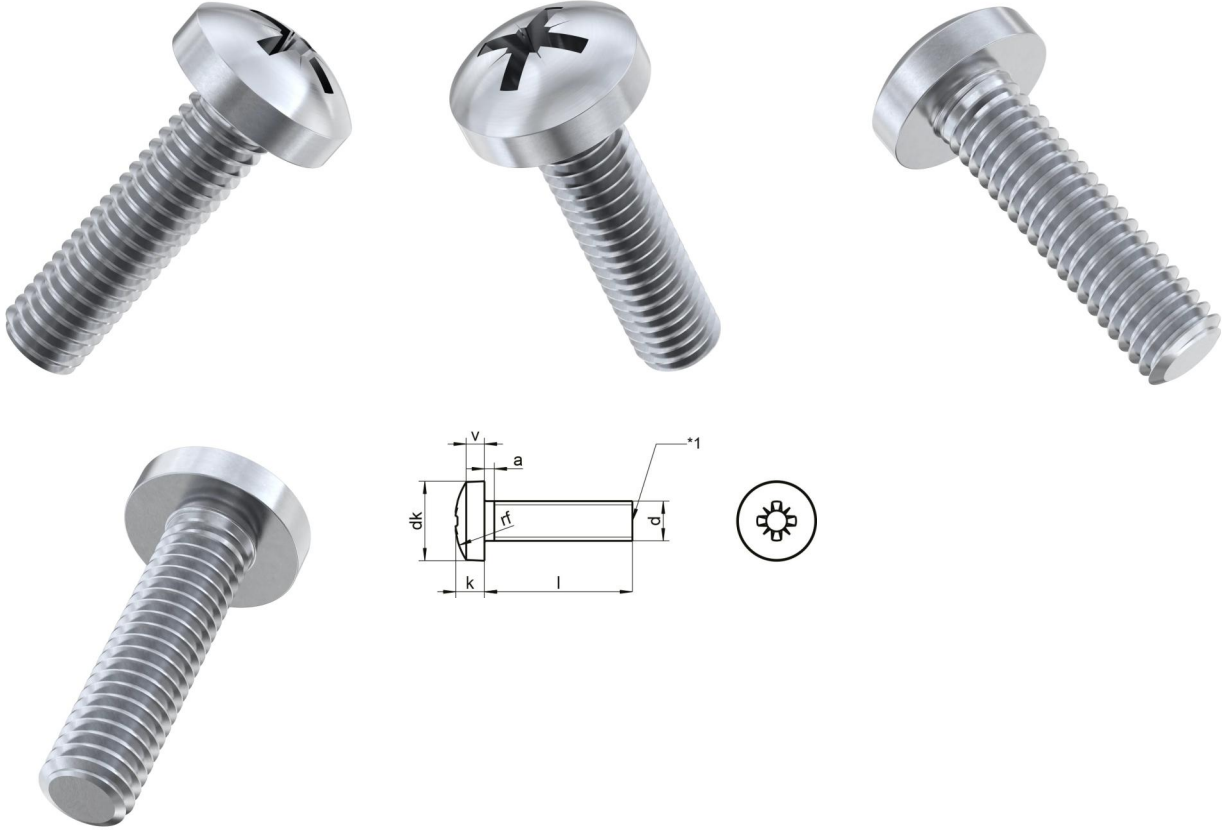


## DIN 7985 A4 M 2X16 Z

Cross recessed raised cheese head screws



### Teknik Veriler / Technical Data

Material	A4
Weight per 100 pcs.	0,04 kg
Packaging	1000 pcs.
Length (l)	16 mm
Diameter of head (dk)	4
Height of head (k)	1.6
Drive size	PZ1
Diameter (d)	2 mm
Drive shape	Pozidrive
Thread type	Metric
Head shape	pan head
Tensile strength	500 N/mm <sup>2</sup>