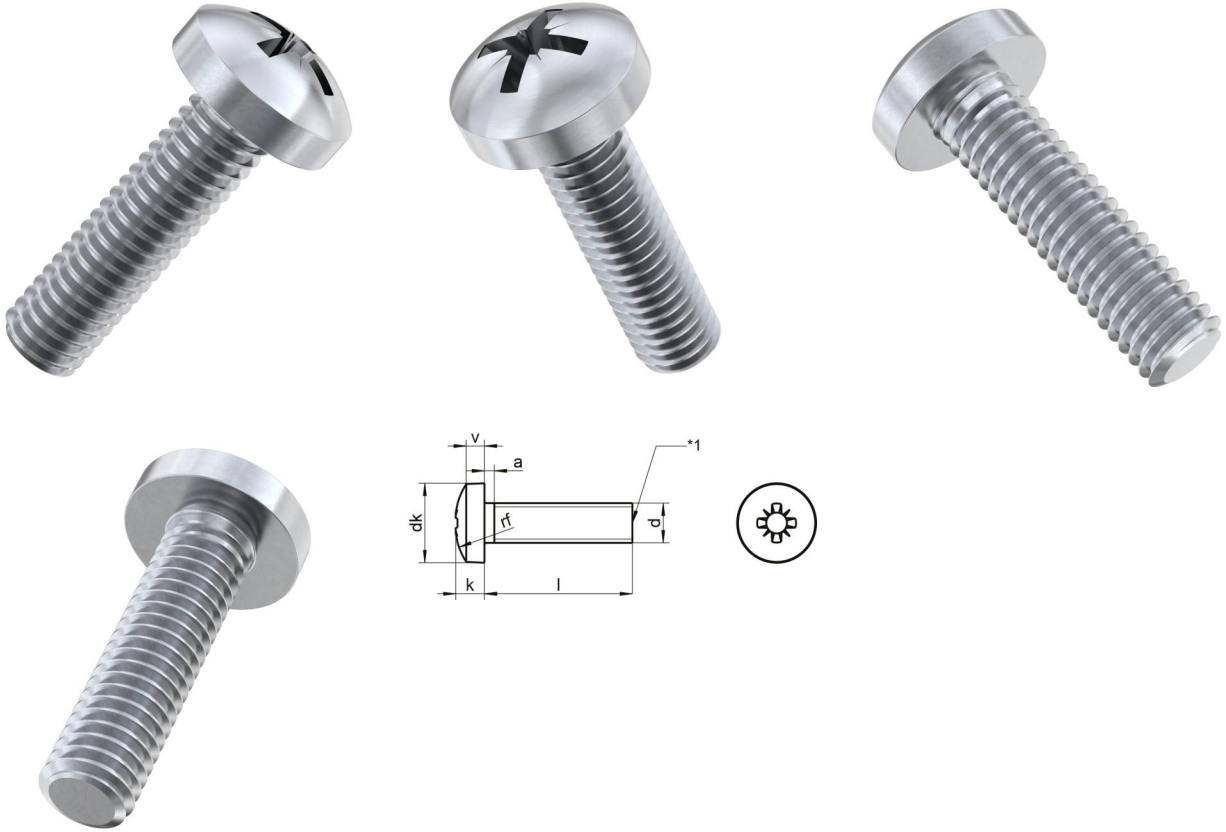


DIN 7985 A2 M 1,6X4 Z

Cross recessed raised cheese head screws



Teknik Veriler / Technical Data

Material	A2
Weight per 100 pcs.	0,01 kg
Packaging	1000 pcs.
Alternative product	DIN 7985 A4 M 1,6X4 Z
Length (l)	4 mm
Diameter of head (dk)	3.2
Height of head (k)	1.3
Drive size	PZ0
Diameter (d)	1.6 mm
Drive shape	Pozidrive
Thread type	Metric
Head shape	pan head
Tensile strength	500 N/mm ²